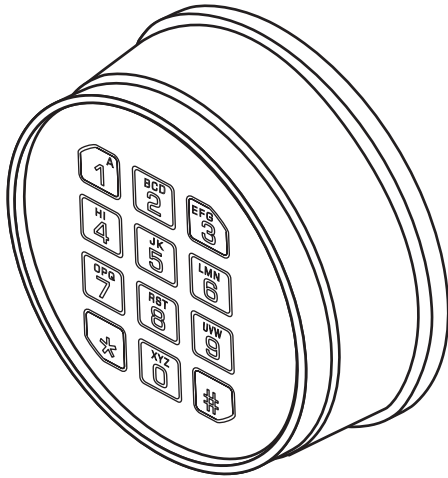


## USER OPERATING INSTRUCTIONS



### FEATURES

*See Manager Instructions for additional features.*

### USER COMBINATION

- Open Lock
- Change Combination

### WRONG TRY PENALTY

- Four (4) consecutive invalid combination initiates five (5) minute delay period.

### LOW BATTERY WARNING

- Repeated LED flashing and beeping during opening indicates battery is low and needs immediate replacement.

### AUDIO AND VISUAL SIGNAL

- Double signal - two (2) LED flashes and two (2) beeps - indicates entry is valid or accepted.
- Triple signal - three (3) LED flashes and three (3) beeps - indicates invalid or not accepted.

### OPENING THE LOCK

1. Enter valid six (6) digit combination (factory set to 1-2-3-4-5-6).
2. The lock will confirm a valid combination entry with a double signal.
3. Within four (4) seconds, turn the handle to the open position.
4. Pull door open.

- **Invalid Combination Entry** - Lock will signal three (3) times.

### WRONG TRY PENALTY

- Entry of four (4) consecutive invalid combinations starts a five (5) minute delay period.
  - LED flashes red at ten (10) second intervals.
- At the end of the delay period, two (2) more consecutive invalid combinations will restart the five (5) minute delay period.

***Entry will not respond to keystrokes during delay period.***

## CHANGING YOUR COMBINATION

### **ALWAYS PERFORM THIS OPERATION WITH THE DOOR OPEN**

1. Enter “zero” six times.
2. Enter your existing six (6) digit combination one time.
3. Enter your NEW six (6) digit combination two times.
4. If a mistake is made wait thirty (30) seconds and repeat steps **1 - 3**.
5. Test lock operation several times before closing the door.

**CAUTION:** When selecting a combination do not use birthday or other predictable data that could give correlation between the user and combination. Keep the combination secret.

- **Valid Combination Entry** - Double signal after valid six (6) digit combination is entered.
- **Invalid Combination Entry** - Triple signal indicates the old combination is still valid.

## BATTERY LOW WARNING

- Repeated LED flashing and beeping during an opening indicates that the battery is low and needs immediate replacement.
- Uses two (2) 9-Volt alkaline batteries only. (Example: Duracell™ or Eveready™ alkaline batteries.) It is recommended that batteries be replaced at least once a year.

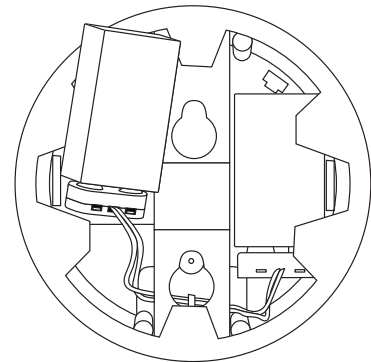
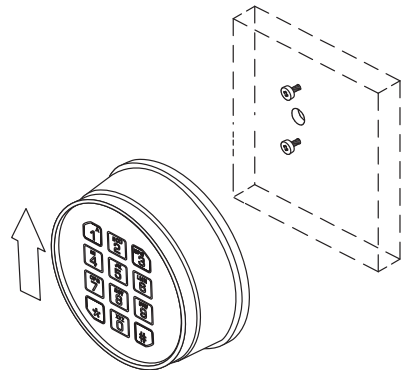
***If battery is depleted and will not allow lock to open, follow Instructions below. Lock contains a non-volatile memory, even with batteries removed the lock will retain all programming.***

## CHANGING YOUR BATTERY

1. Slide the keypad housing up and carefully pull away from mounting surface to expose battery compartment.
2. Remove the old 9-Volt alkaline battery.
3. Remove the connector by unsnapping it from the two terminals on the top of the battery.

***CAUTION! Hold onto battery terminal connector to avoid pulling the wires out of housing.***

4. Repeat procedure for second battery.
5. Carefully position the keypad over the mounting screws and slide the keypad housing down. Ensure there are no wires or cables trapped between the input pad and the safe door. Pinched cables can result in a short circuit.



***Mounting Instructions available at [www.kaba-mas.com](http://www.kaba-mas.com).***